

# E3 VISE ACTION® Compression Latch

Machined stainless steel housing · Tool operated  
High-pressure resistance · 19.1mm size

- Consistent pre-set compression
- Premium finish and corrosion resistance
- IP69K Compliant
- Easy Clean
- Conform to DIN EN 1672-2

### Material and Finish

Stainless Steel 316

### Performance Details

Adjustable Grip - Maximum static load: 600N (136 lbf)

Fixed Grip - Maximum static load: 450N (100 lbf)

### Keys

Use Southco key E3-17-1 only

### Installation Notes

Recommended tightening torque for the mounting nut is 20 N·m (176 in·lbf).

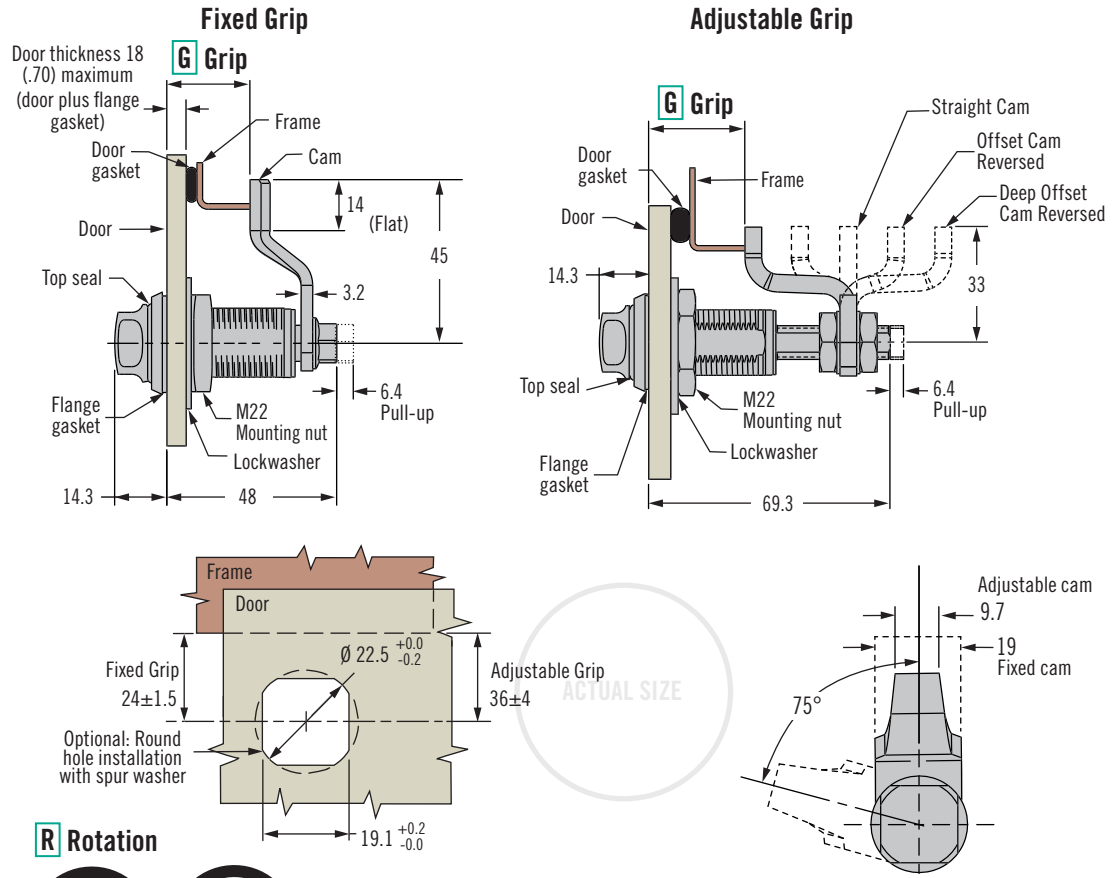
### Accessories

Replacement flange gasket:  
Part number: E5-17-101

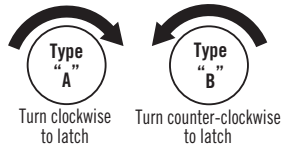
### Part Number Selection

See table

Order latch and cam separately



### R Rotation



### R Rotation

- Adjustable Grip  
1 Type A clockwise to latch  
22 Type B counter-clockwise to latch
- Fixed Grip  
12 Type A clockwise to latch  
29 Type B counter-clockwise to latch

**E3 - H R 38 - G 0**

### G Grip

- 0 Adjustable Grip
- UU Fixed Grip

Fixed Grip Cam part number			
Grip	Part Number	Grip	Part Number
20 (.79)	E5-1200-24	40 (1.57)	E5-1210-24
22 (.87)	E5-1201-24	42 (1.65)	E5-1211-24
24 (.94)	E5-1202-24	44 (1.73)	E5-1212-24
26 (1.02)	E5-1203-24	46 (1.81)	E5-1213-24
28 (1.10)	E5-1204-24	48 (1.89)	E5-1214-24
30 (1.18)	E5-1205-24	50 (1.97)	E5-1215-24
32 (1.26)	E5-1206-24	52 (2.05)	E5-1216-24
34 (1.34)	E5-1207-24	54 (2.13)	E5-1217-24
36 (1.42)	E5-1208-24	56 (2.20)	E5-1218-24
38 (1.50)	E5-1209-24	58 (2.28)	E5-1219-24

Adjustable Grip Cam part number			
Minimum Grip	Maximum Grip	Cam Type	Part Number
16.4 (.64)	32.2 (1.26)	Deep offset cam, forward	E3-28-201-24
71.3 (2.80)	81.2 (3.19)	Deep offset cam, reversed	
30.4 (1.19)	46.1 (1.81)	Offset cam, forward	E3-28-202-24
57.6 (2.26)	73.3 (2.88)	Offset cam, reversed	
43.9 (1.72)	59.6 (2.34)	Straight cam	E3-28-203-24

Other options available. For complete details on variety, part numbers, installation and specification, go to



[www.southco.com/E3](http://www.southco.com/E3)

Dimensions in millimeters unless otherwise stated